

# we think transport

## Hub Identification

BPW have introduced 4 generations of BPW ECO Plus axles over the past thirteen years.

1. The first BPW ECO Plus axles were 9 ton axles. (2002)
2. The next was BPW ECO Plus 2 axles, also 9 ton axles. (2008)
3. Most recent was the BPW ECO Plus, 10 ton axles. (2011)
4. Our latest launch BPW ECO Plus 3, 9 ton axles. (2016)

The BPW ECO Plus 10 ton axle was introduced due to the market demand for a more robust, 10 ton axle to run on dual wheel applications.

Single Wheel application: HSF 9010-15 ECO Plus 2 and ECO Plus 3

Dual Wheel application: HZF 10110-15 ECO Plus

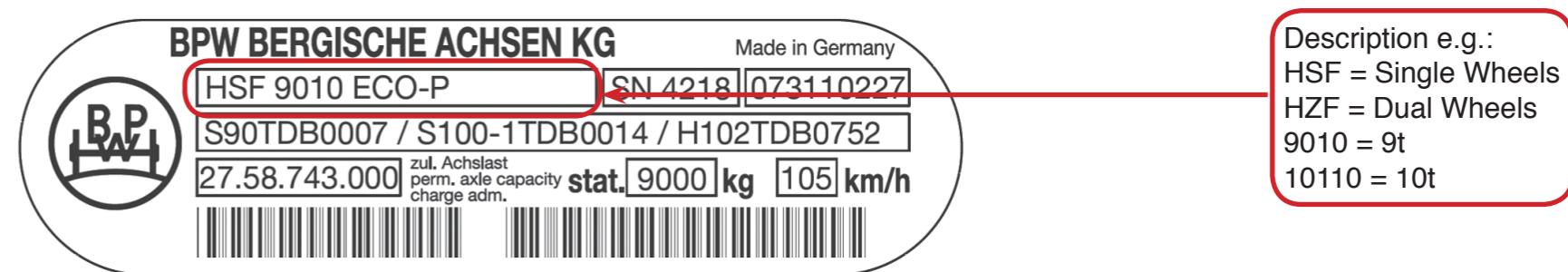
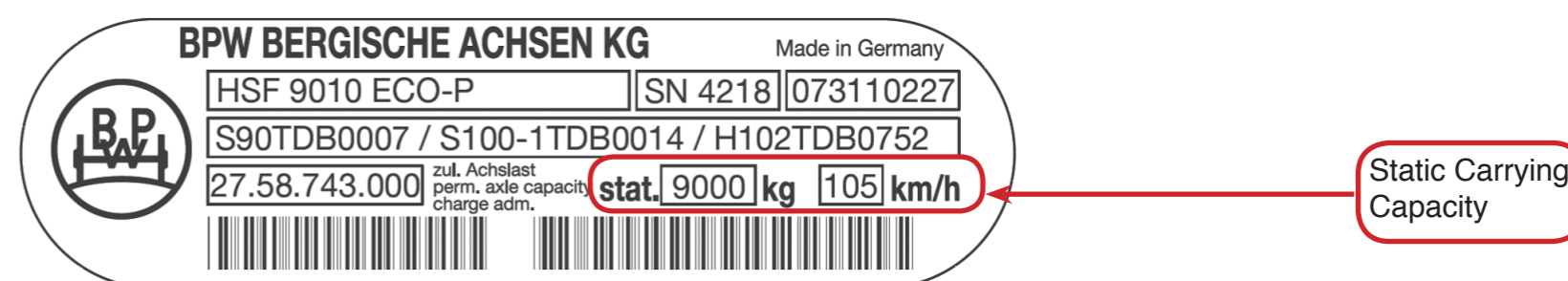
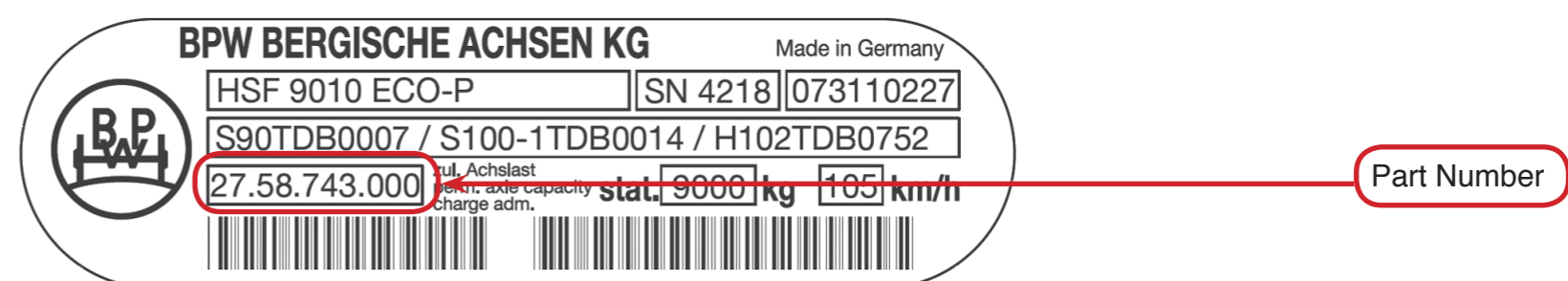
With the different axle generations available in the market, BPW have compiled this guideline to assist in identifying the applicable axles.

There are 3 basic ways for identification, i.e.:

1. Axle Name Plate Identification
2. Hub Identification
3. Axle Stub Identification

### 1. Axle Label:

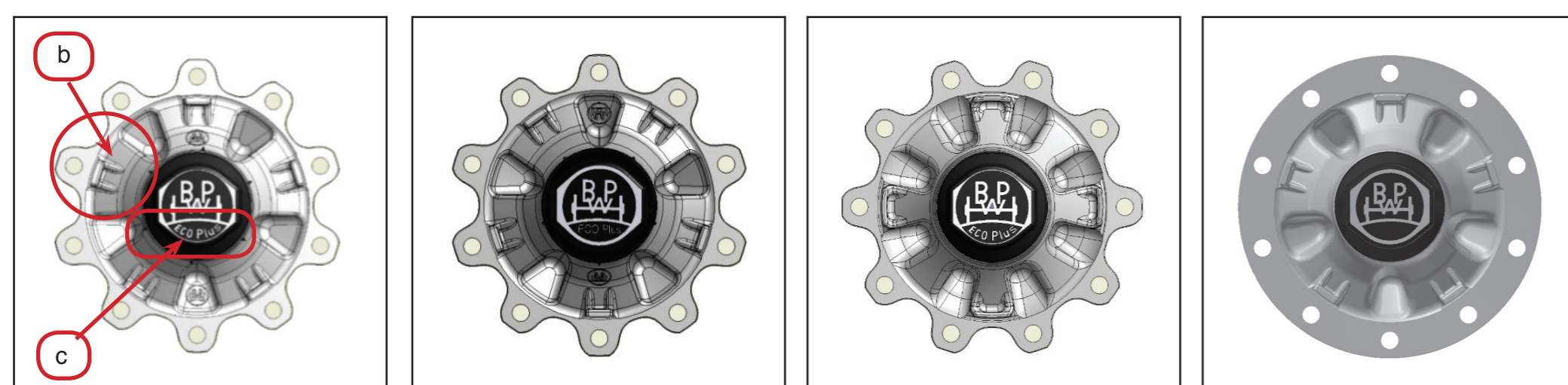
ID	ECO Plus 9t	ECO Plus 2 9t	ECO Plus 10t	ECO Plus 3 9t
Part Number	26.11.743.xxx – Steering Axles 27.11.742.xxx – Rigid Axles	26.58.743.xxx – Steering Axles 27.58.743.xxx – Rigid Axles	27.50.743.xxx – Rigid Axles	29.68.31.xxxx – Steering Axles 20.68.31.xxxx – Rigid Axles



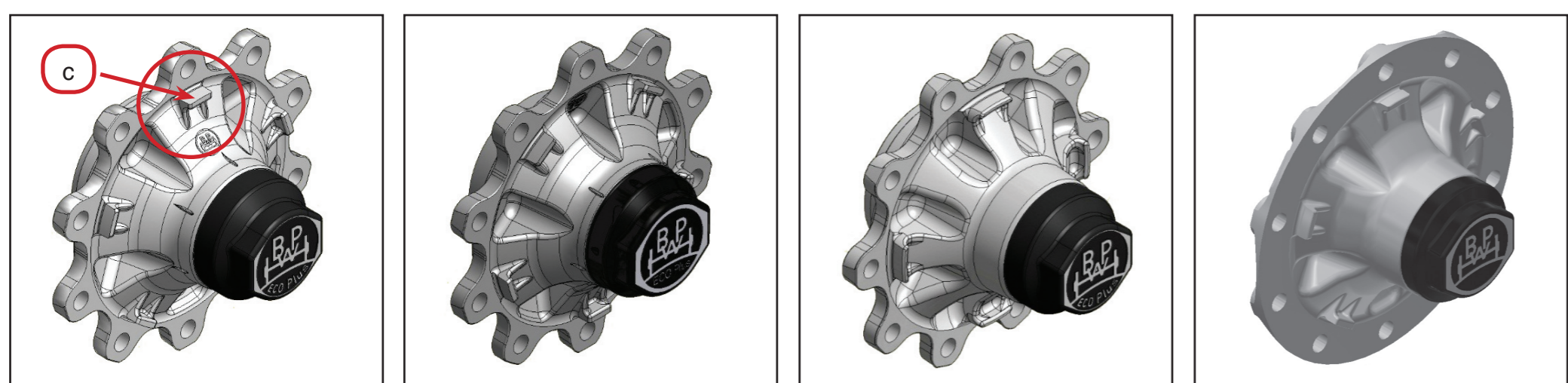
### 2. Hub Identification

ECO Plus 9t ECO Plus 2 9t ECO Plus 10t ECO Plus 3 9t

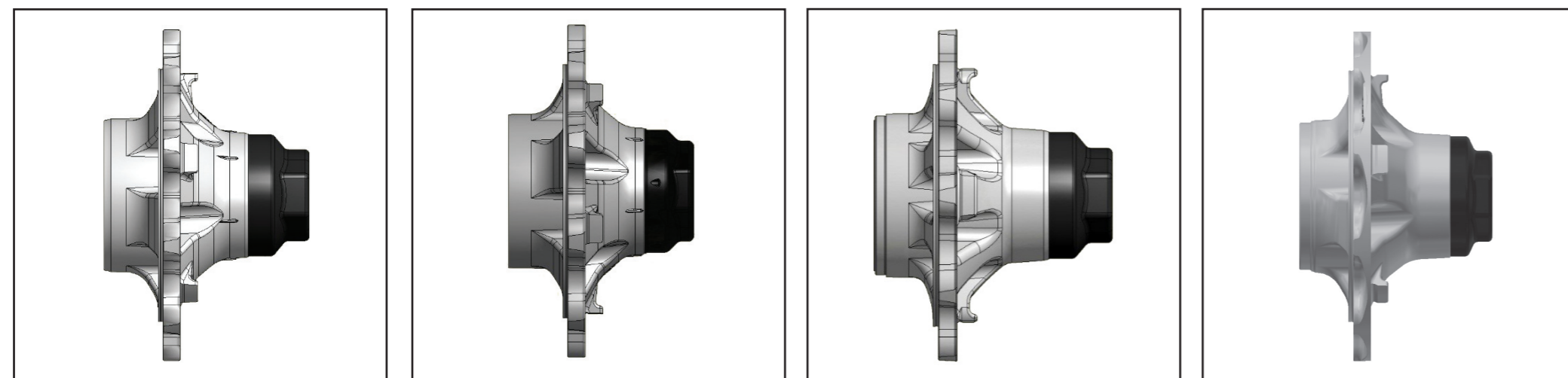
Front View:



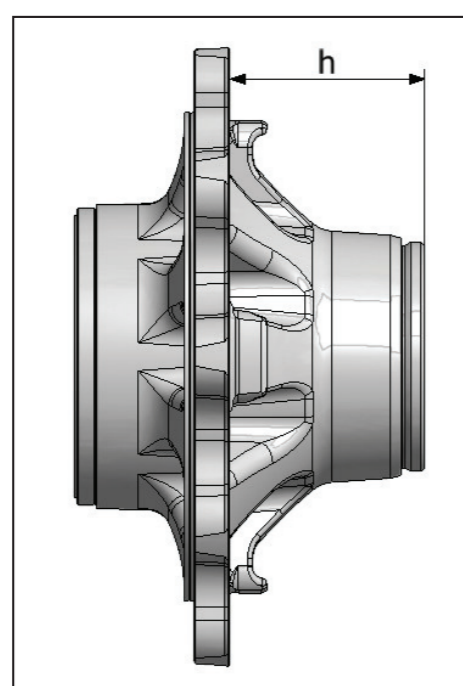
Isometric View:



Side View

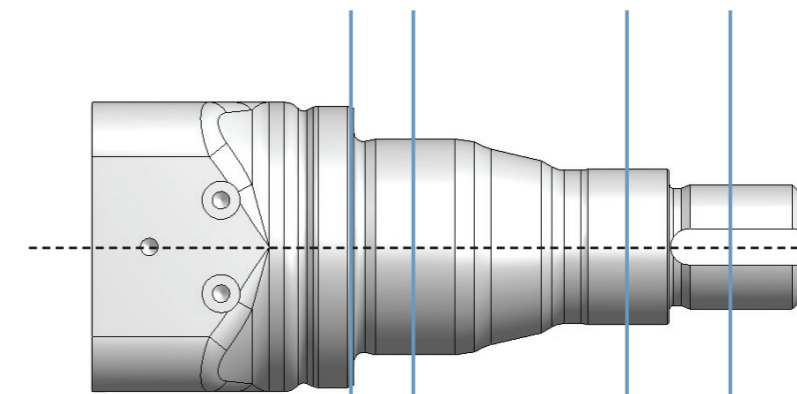


ID	ECO Plus 9t	ECO Plus 2 9t	ECO Plus 10t	ECO Plus 3 9t
a)	Casting Part number: 01.272.43.10.0	Casting Part number: 01.272.43.30.0	Casting Part number: 01.272.48.95.0	Casting Part number: 01.272.43.42.0
b)	Five wide spokes	Five wide spokes	Eight narrow spokes	Five wide spokes
c)	Five narrow spigots	Five narrow spigots	Four wide spigots	Five narrow spigots
d)	"ECO Plus" written in a curve on the hub cap	"ECO Plus" written in a straight line on the hub cap	"ECO Plus" written in a curve on the hub cap	"ECO Plus" not written on the hub cap
e)	Screw-on hub cap	Bayonet/Clip-on hub cap	Screw-on hub cap	Screw-on hub cap
f)	Spanner Width = 110mm Low height hub design h = 92 mm	Spanner Width = 120mm Low height hub design h = 92 mm	Spanner Width = 110mm Higher hub design h = 115.5 mm	Spanner Width = 110mm Higher hub design h = 105mm
g)	ABS Ring – Bayonet style	ABS Ring – Bayonet style	ABS Ring – Press-on	ABS Ring – Press-on
h)	Hub part number: Single Wheels/Dual Steel Rim – 03.272.43.10.2	Hub part number: Single Wheels/Dual Steel Rim – 03.272.43.29.0 03.272.43.23.2	Hub part number: All configurations - 03.272.43.23.2	Hub part number: All configurations – 03.272.43.42.0
i)	Dual Wheel Aluminium Rims – 03.272.43.19.2 (Longer spigot) Hub assembly part number: Single Wheels/Dual Steel Rim – 09.801.06.07.0 Dual Wheel Aluminium Rims – 09.802.99.74.0	Dual Wheel Aluminium Rims – 03.272.43.30.0 (Longer spigot) Hub assembly part number: Single Wheels/Dual Steel Rim – 09.801.07.35.0 Dual Wheel Aluminium Rims - 09.801.07.44.0	Hub assembly part number: All configurations – 09.801.06.08.2	Hub assembly part number: All configurations – 09.801.08.39.0

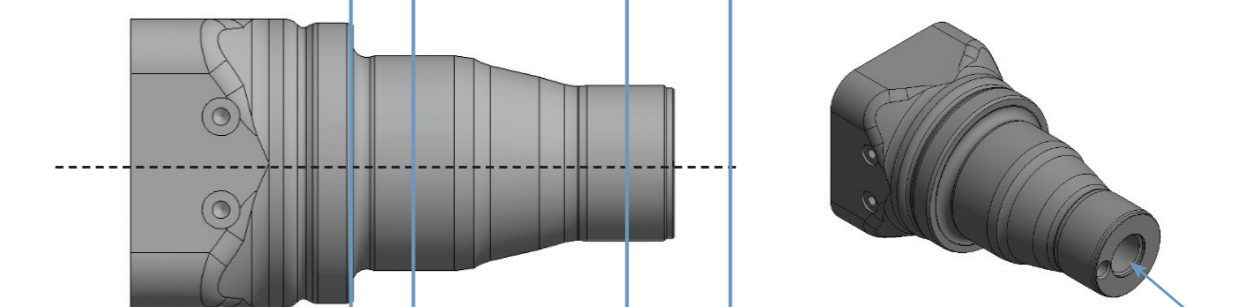


### 3. Axle Stub Identification:

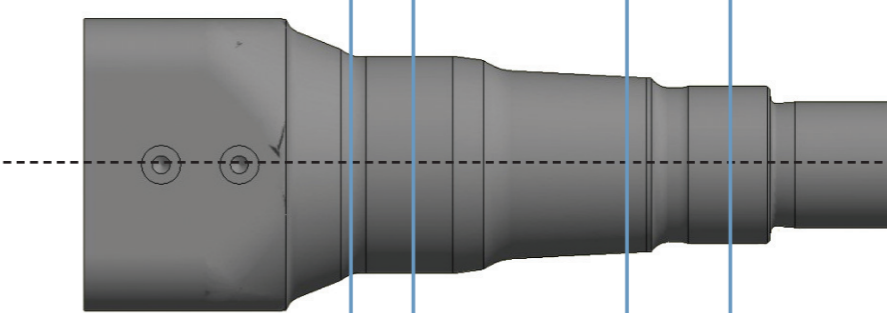
ECO Plus 9t



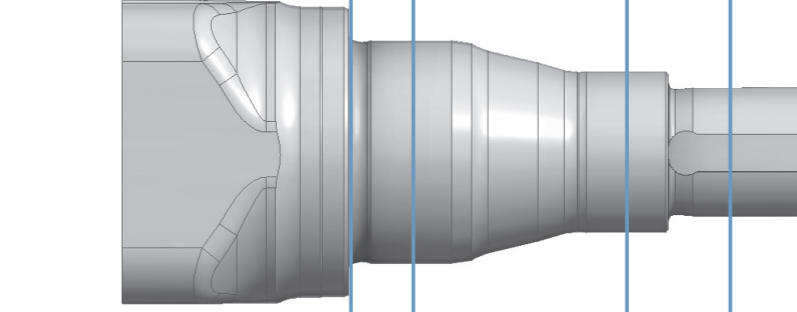
ECO Plus 2 9t



ECO Plus 10t



ECO Plus 3 9t



a b c d

ID	ECO Plus 9t	ECO Plus 2 9t	ECO Plus 10t	ECO Plus 3 9t
1)	Integrated thrust collar (a)	Integrated thrust collar (a)	Conical thrust collar seat (a)	Integrated thrust collar (a)
2)	Bearing: Inner – 33118 Outer – 33213	Bearing Inner – 33118 Outer – 33213	Bearing: Inner – 33118 Outer – 33213	Bearing: Inner – 33118 Outer – 33213
3)	Narrow bearing spacing design (b - c)	Narrow bearing spacing design (b - c)	Wide bearing spacing design (b - d)	Narrow bearing spacing design (b - c)
4)	Axle NUT thread: - External: - M52 x 2	Axle BOLT thread: - Internal: - M32 x 2	Axle NUT thread: - External: - M52 x 2	Axle NUT thread: - External: - M52 x 2
5)	ABS bracket mounting holes square to the centreline	ABS bracket mounting holes square to the centreline	ABS bracket mounting holes square to the centreline	ABS bracket mounting holes square to the centreline

### Please note:

- A) The same changes have been made for the KHZ range of axles: (8 stud KH Axles for 19.5" wheels) KHZF 9008-15 ECO Plus - KHZF 9008-15 ECO Plus 2 - KHZF 11008-15 ECO Plus
- B) When replacing hubs on any ECO Plus 10t axle, please ensure that the conical thrust washer and o-ring, items 420 & 424, are properly inserted. See exploded view

